



classic
architectural group

For Every Step[®]



Classic

Verti Swivel Wall Mounted

Dynamic Triangular Cradle Bike Rack

This rack combines style with smart functionality through its unique hinge design, allowing the rack to swivel smoothly from side to side. This dynamic feature minimises required spacing between racks to just 400mm, meeting Australian Standards for bike storage (AS2890.3) while maximising storage capacity. The innovative cradle securely holds the front wheel, making it easy to lock both the wheel and frame for added security. Perfect for compact, efficient bike storage solutions.

Features

- Features a unique hinge design that allows smooth side-to-side swiveling, reducing required spacing to 400mm and meeting AS2890.3 standards.
- Maximises storage capacity while ensuring compliance with Australian bike storage standards.
- Innovative cradle securely holds the front wheel, enabling easy locking of both wheel and frame for enhanced security.
- Ideal for compact and efficient bike storage solutions.

Application

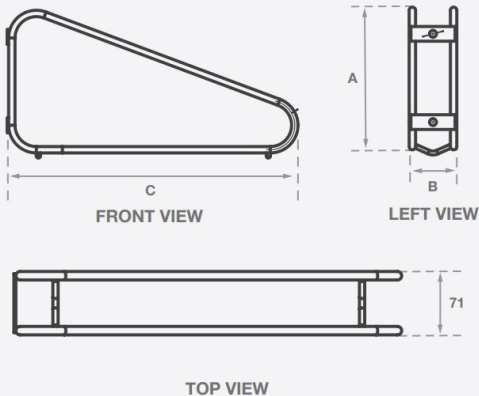
Wall Mounted

Finish



Black

Galvanised




NCC
COMPLIANT

AS2890
COMPLIANT

LIFETIME
WARRANTY

INSTALLATION
SERVICES
AVAILABLE

 Powder coated (optional)

 Easy installation