

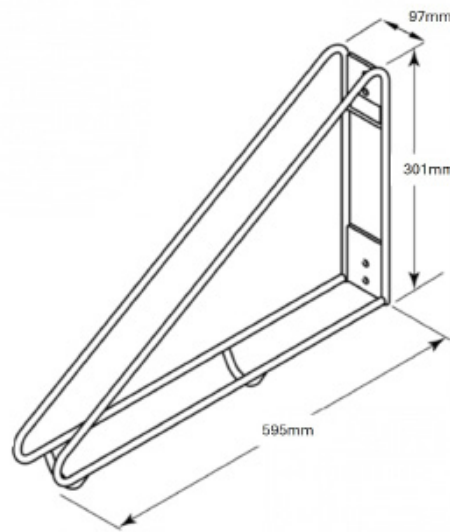


classic
architectural group

For Every Step®

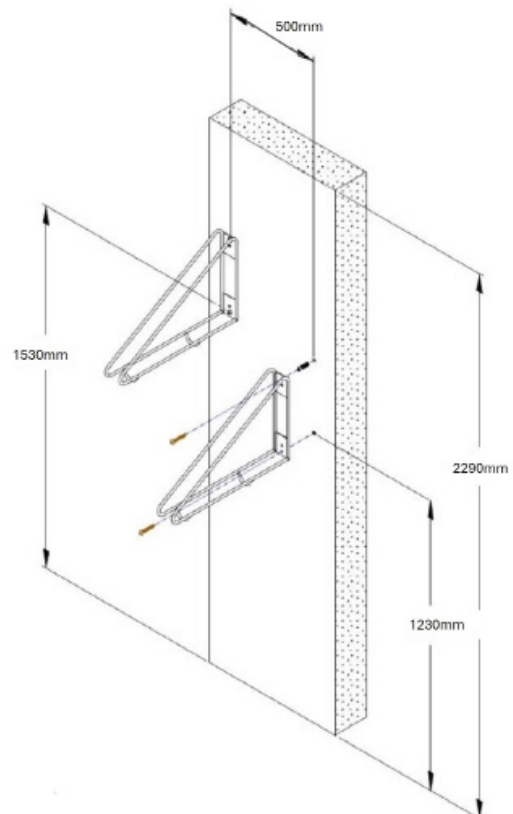
Installation Guide

Verti Tri Wall Mount Bike Rack



Installation

- Locate center of bottom hole placement of the first wall rack
- Make a mark with pencil at approximately 1520mm from the floor to the first mounting hole position
- Hold rack straight, center hole over mark position, and mark the upper hole
- Remove rack and drill both holes
- Insert the screw bolts and secure in place
- The second rack will need to be offset by 300mm (see diagram) and a 500mm spacing between.
- Repeat above steps until all racks are installed, alternating the lower and higher rack positions





classic
architectural group

For Every Step®

Installation Guide

Verti Tri Wall Mount Bike Rack

Layout

Example of a compliant Bike Room Layout (side view), for further details please refer to Classic's Bike Rack Compliance Guide or directly to the AS2890.3:2015 standard.

