



classic
architectural group

For Every Step

Classic

Bicycle Rack – Vertical Post

Galvanised

Classic's Vertical Post serves as an ideal solution to maximise the number of bike parking spots in a confined space. It is compatible with Classic's Wall Triangular Vertical bike rack.

Application

When combining with Classics Wall Triangular Vertical bike rack (SR94BWV), the vertical posts can be installed for single or double sided use. We recommend posts be installed at a minimum spacing of 500mm, with SR94BWV installed at alternating heights to comply with AS2890.3.

Please note this product has a 3 week lead time.

Material

Made from 75mm x 75mm SHS, with a 200mm x 200mm base plate. Standard finish is Galvanised.

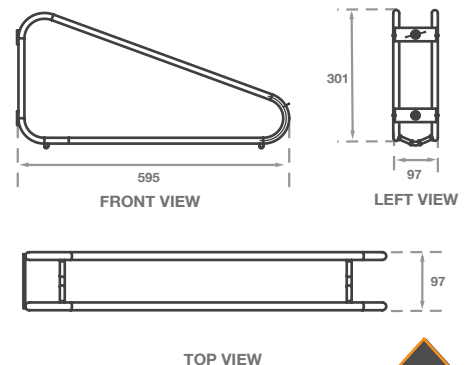
Colour



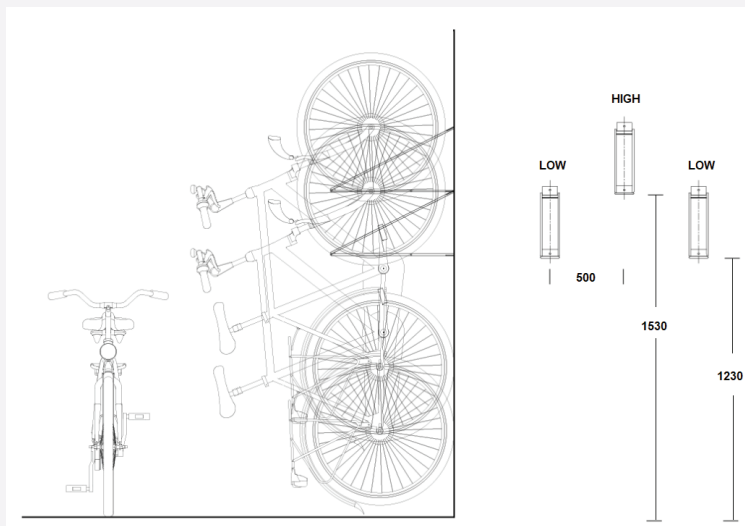
Galvanised

Code	Description	Material	A height (mm)	B width (mm)	C length (mm)
SR94GBP	Vertical mounting post	Galvanised SHS post	1961	75	75

CODE SR94BWV (BELOW) - A HEIGHT 301MM. B WIDTH 97MM. C LENGTH 595MM.



WHEN USED IN CONJUNCTION WITH SR94BWV (BELOW).



LIFETIME WARRANTY

INSTALLATION SERVICES AVAILABLE

Gal Galvanised

Weather resistant