



classic
architectural group

For Every Step®



Classic

Horizo Square

Wall Mounted Horizontal Bike Rack

Classic Horizo Square is designed to securely hold two standard-framed bikes, making it an efficient, space-saving storage solution for areas above car bonnets. This clever design not only maximises available space but also provides peace of mind, allowing cyclists to lock both the main bike frame and both wheels for enhanced security. Ideal for compact spaces, this rail system is perfect for adding organised, secure bike parking to garages, car parks, or any space where efficiency and security are a priority.

Features

- Capacity to support up to 2 bike frames in a horizontal position
- Fully welded construction made from heavy duty steel in black powder coated finish
- Easily installed and provides maximum wall efficiency

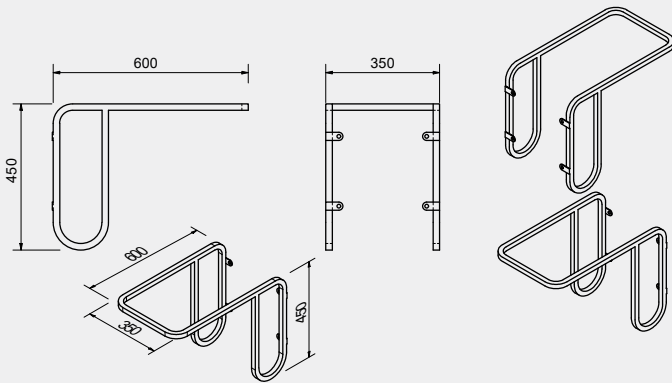
Application

Wall Mount


Finish



Black



 Powder coated

 Easy installation

**LIFETIME
WARRANTY**

**INSTALLATION
SERVICES
AVAILABLE**

Code	Description	Material	Height (mm)	Width (mm)	Length (mm)
SR93BWM	Horizontal Wall Mount Bike Rack	Black Powder Coated	450	350	600