

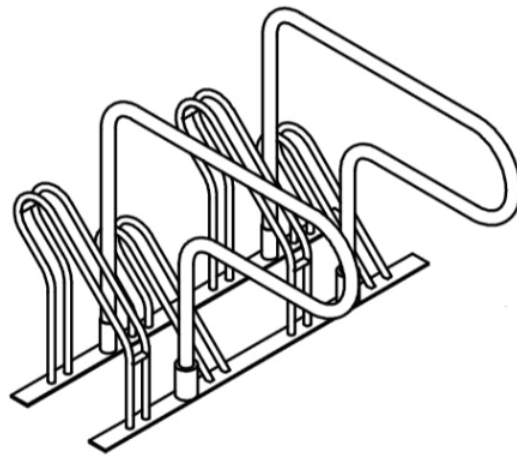


classic
architectural group

For Every Step®

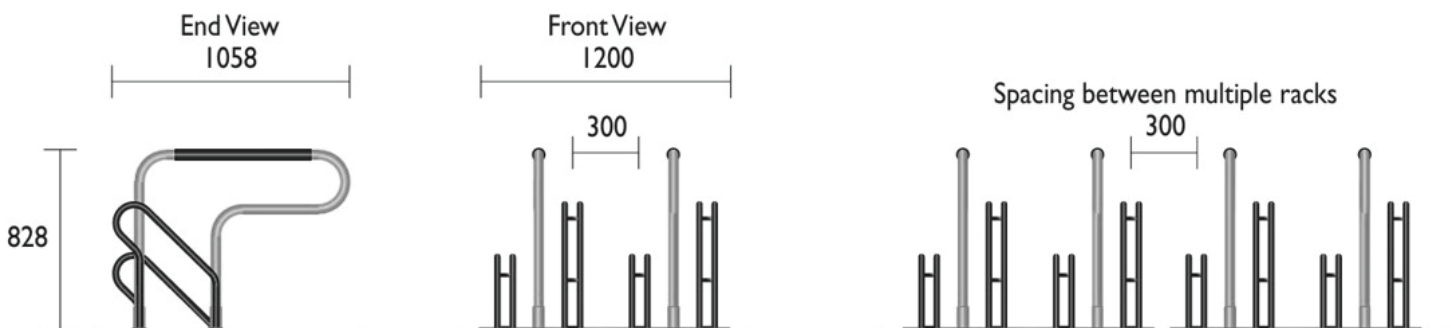
Installation Guide

Bicycle Rack - P Style



Access & Clearance

The P Style bike rack should be positioned to allow single sided access. If placing racks side by side, 300mm spaces should be allowed between racks.





classic
architectural group

For Every Step®

Installation Guide

Bicycle Rack - P Style

Installation

The P Style Bicycle Rack is supplied in either;

- Flatpack for do-it-yourself installation. Rails and wheel supports are supplied unattached and can be quickly bolted to the base rail.
- Fully welded and ready to install. This option is suited to areas that are prone to reckless or intentional abuse of community areas.

