



classic
architectural group

For Every Step

Classic Tredfx

Bicycle Racks - Coat Hanger Style

Galvanised or Stainless Steel

The coat hanger bike rack is an ideal solution for external locations to maximise space by providing multiple bike parking spots. Designed for installation with single or double sided access. Bikes can be placed between hangers and at either end of the rails.

Features

- Single or double sided access
- Heavy duty steel or 316 stainless steel welded construction
- Easy installation process

Suitable for:

Ideal for schools, shopping centres, walkways or warehouses.

Application

SR86GC4 & SR86SC4 –

Single side access - 3 bikes using inside bays and 1 bike on each outside rail, total of 5 spaces

Double sided access - 1 bike alternating on inside bays (entering from each side) and 1 bike on each outside rail, total of 7 spaces

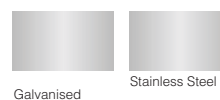
SR86GC7 & SR86SC7 –

Single side access - 5 bikes using inside bays and 1 bike on each outside rail, total of 7 spaces

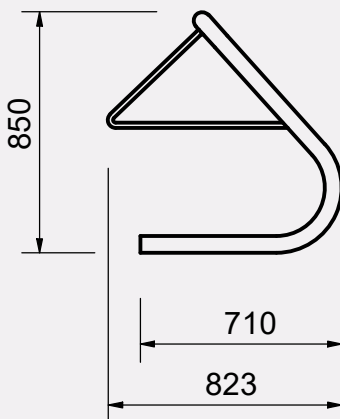
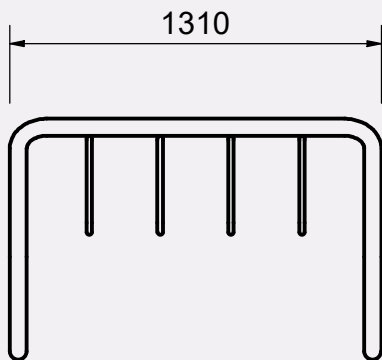
Double sided access - 1 bike alternating on inside bays (entering from each side) and 1 bike on each outside rail, total of 10 spaces

Code	Description	Material	height (mm)	width (mm)	length (mm)
SR86GC4	Coat Hanger Bike Rack 5-7 cap	Galvanised	850	710	1310
SR86SC4	Coat Hanger Bike Rack 5-7 cap	Stainless Steel	850	710	1310
SR86GC7	Coat Hanger Bike Rack 7-10 cap	Galvanised	850	710	1800
SR86SC7	Coat Hanger Bike Rack 7-10 cap	Stainless Steel	850	710	1800

Colour



Drawing shows 5-7 capacity bike rack



LIFETIME WARRANTY

INSTALLATION SERVICES AVAILABLE

NCC COMPLIANT

AS2890 COMPLIANT

