



classic
architectural group

For Every Step



Classic

Galvanised Bollards

Surface Mount

Classic fixed surface mount bollards are designed for traffic control situations or property and asset protection. Manufactured from heavy wall mild steel tube with fully welded base plates.

Application

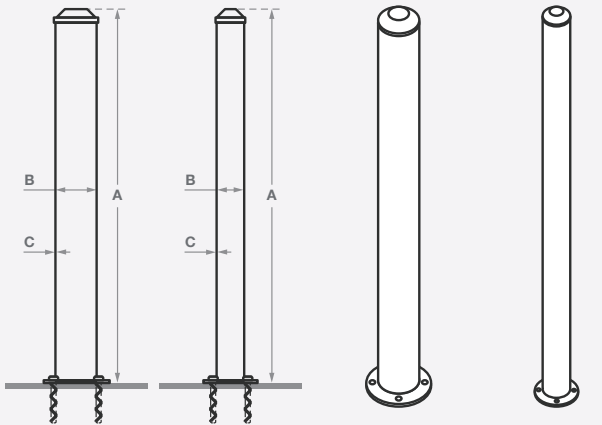
Surface Mount

Finish



Galvanised

Code	A length (mm)	B width (mm)	C wall thickness	No. of fixings	CAP	Base plate size (mm)	Finish
DB912BG	1200	90	5	4	Press Fit	190Ø x 6	Galvanised
DB1412BG	1200	140	5	4	Press Fit	240Ø x 6	Galvanised
DB1612BG	1200	168	5	4	Press Fit	280Ø x 8	Galvanised



Ø140 Post
Ø240 Baseplate

Ø90 Post
Ø190 Baseplate

SURFACE MOUNT

**LIFETIME
WARRANTY**

**INSTALLATION
SERVICES
AVAILABLE**

**NCC
COMPLIANT**

**AS2890
COMPLIANT**

Weather resistant

Easy installation

Round profile

Galvanised steel