

# Classic Integra Entrance Mat Framing System

## Installation Guide

Integra frame is a versatile matwell framing system with five profiles that can be used for varying mat thicknesses. The Integra frame has been developed as part of the entrance systems program from Classic.

Integra frame is easily transported thanks to its modular design and is simple to install. Please be aware that a set-down or rebate may be required in the substrate.

### Warning

Do not alter pre-cut frames without consulting Classic Architectural Group. Any alterations to mat frames supplied may incur expensive additional costs and/or re-manufacture of the matting. All costs to be borne by the customer.

### Installation

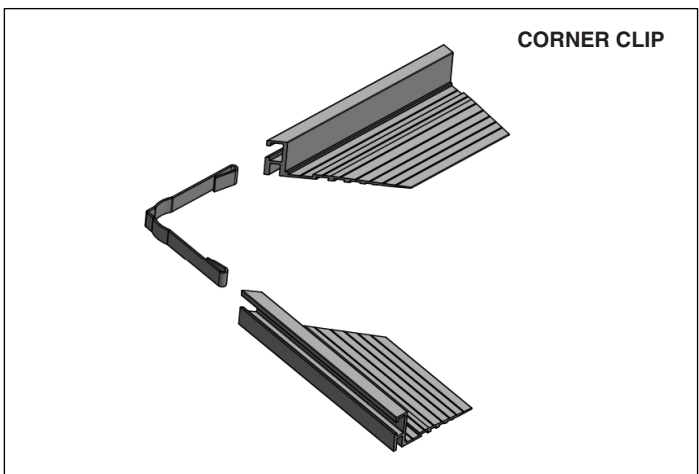
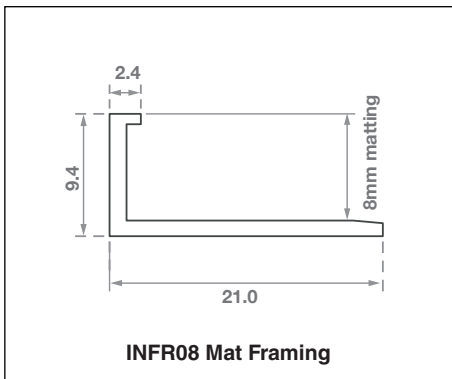
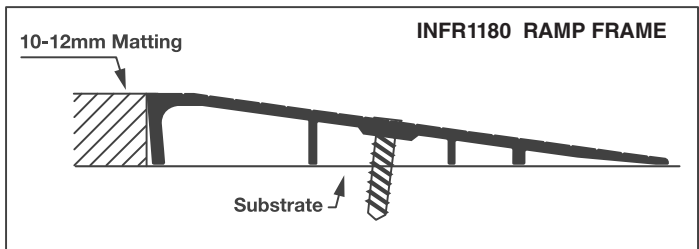
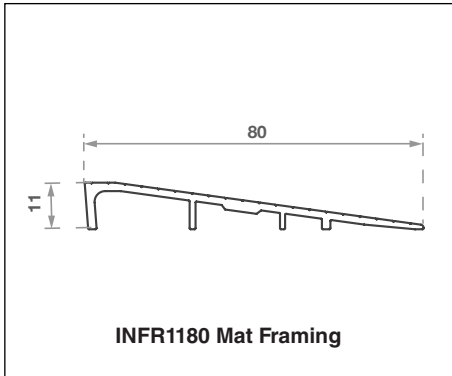
#### Recessed Application

1. If Integra Frame is not pre-cut to size, mitre cut to size or trim as required, ensuring the vertical leg is the correct size for the mat thickness.
2. Assemble Integra Frame by inserting corner clips as shown. Use a mallet or soft hammer if required.
3. Drill and countersink as required at approx 600mm centres to allow fixing to base slab/substrate.
4. Set out Integra Frame within mat well recess, ensuring that corners are square, diagonals are equal (for rectangular mats), and sides are straight.
5. Pack the frame adjacent to each fastener position so that the top of the frame is level with the finished floor level.
6. Fix the frame to the subfloor using countersunk fasteners.
7. Prepare a suitable mortar mixture and screed off to the top face of the horizontal leg of the frame. Ensure that the mat well is perfectly level.
8. Prepare the mat area for mat install and follow mat install procedure.

### Installation

#### Ramp Frame Application

1. Layout Integra Frame INFR1180 to all required sides of matting in desired mat area in accordance with manufacturer's recommendations.
2. Install as supplied ensuring that the corners are square, diagonals are equal (for rectangular mats) and the sides are parallel. Where required trim the ramp frame to length, and/or mitre the corners to suit.
3. Fix the frame to the subfloor using countersunk fasteners ensuring that the frame is closely fitted to the floor surface.
4. Prepare the mat area for mat install and follow mat install procedure.



Corner clip supplied with INFR11 & INFR17 frame kits

