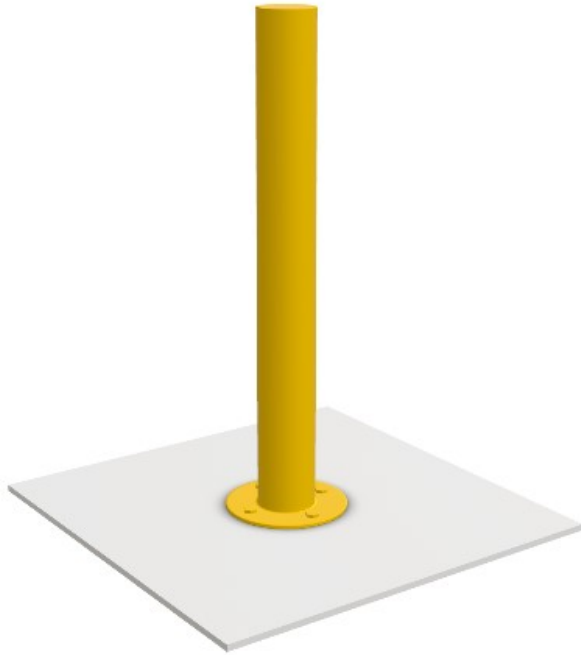




**classic**  
architectural group

**For Every Step**



## Classic

# Powder Coated Bollards

## Surface Mount

Classic fixed surface mount bollards are designed for traffic control situations or property and asset protection. Manufactured from heavy wall mild steel tube with fully welded base plates.

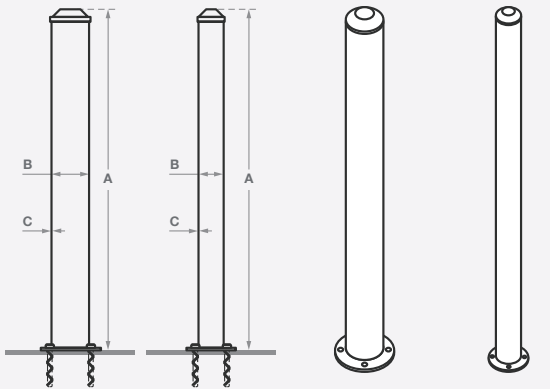
## Application

Surface mount

## Finish



Powder coated in safety yellow



Ø140 Post  
Ø240 Baseplate

Ø90 Post  
Ø190 Baseplate

SURFACE MOUNT

Code	A length (mm)	B width (mm)	C wall thickness	No. of fixings	CAP	Base plate size (mm)	Finish
DB912BP	1200	90	5	4	Press Fit	190Ø x 6	PC
DB1412BP	1200	140	5	4	Press Fit	240Ø x 6	PC
DB1612BP	1200	168	5	4	Press Fit	280Ø x 8	PC

PC = Powder Coated

Weather resistant

Easy installation

Round profile

Powder coated

**LIFETIME  
WARRANTY**

**INSTALLATION  
SERVICES  
AVAILABLE**

**NCC  
COMPLIANT**

**AS2890  
COMPLIANT**