



**classic**  
architectural group

**For Every Step**

## Classic Tredfx

# Fastile® PT39A

Polyurethane TGSi Peel and Stick Directional Tactile Tile Format

The Fastile® PT39A is a proven tactile indicator, sized as 300mm x 300mm tiles. Designed to retro-fit over almost any substrate, these tactiles provide installers and building owners with one of the most simple and cost effective way of installing tactile indicators. The Fastile® PT39A is a manufactured from UV resistant, premium polyurethane material and its design complies with relevant Australian Standards.

## Features

- Non-slip top
- 300mm x 300mm
- Bevelled edge for safe transition
- UV resistant polyurethane material
- Peel and stick self-adhesive backing

## Application

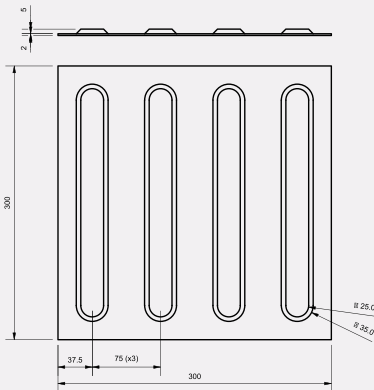
Interior and exterior

## Colours



## LRV Guide

Colour	Dry	Wet
Black	2.4	2.6
Yellow	41.3	42.2



Self Adhesive Backing

**LIFETIME  
WARRANTY**

**INSTALLATION  
SERVICES  
AVAILABLE**

**NCC  
COMPLIANT**

**AS1428  
COMPLIANT**



LRV (Light Reflectance Value) available



P5 Slip resistance rating



Fire test report available