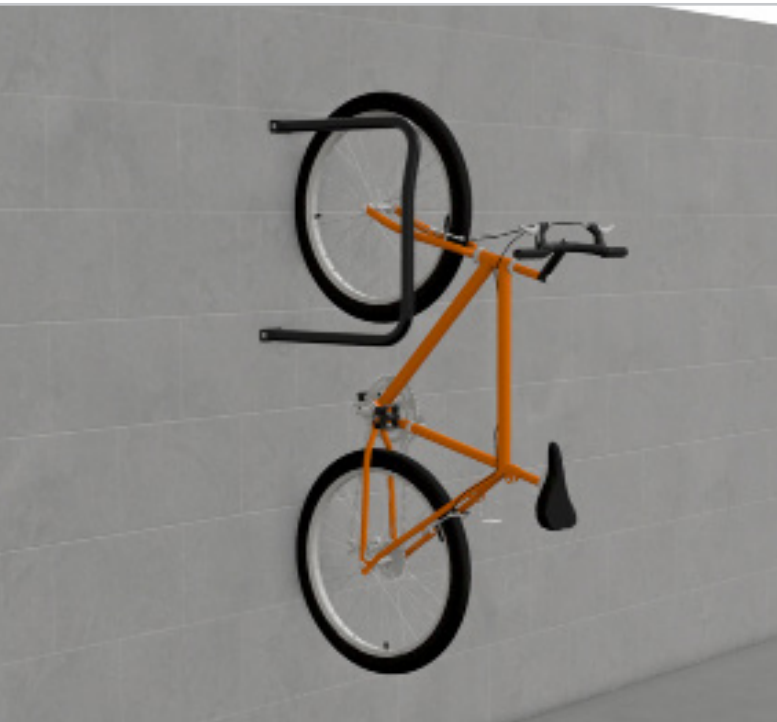




classic
architectural group

For Every Step®



Classic

EziHold™ Square

Wall Mounted Vertical Bike Rack

This robust bike rack, crafted from mild steel and hot-dip galvanised for durability, is designed for wall mounting and securely holds one full-size bicycle. It allows for complete security by enabling both the wheel and frame to be locked. The bike is supported on prongs, protecting the rims from potential damage. Suitable for both indoor and outdoor use.

Features

- Robust wall-mounted bike rack made from durable, hot-dip galvanised mild steel.
- Securely holds one full-size bicycle with locking for both wheel and frame.
- Prong support design protects bike rims from damage.
- Versatile for indoor and outdoor use.

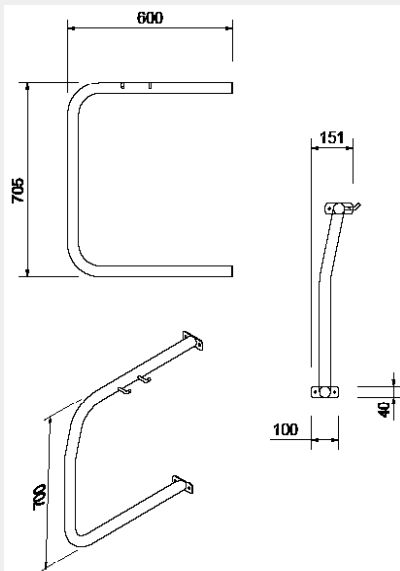
Application

Wall Mount

Finish



Black



NCC
COMPLIANT

AS2890
COMPLIANT

LIFETIME
WARRANTY

INSTALLATION
SERVICES
AVAILABLE

Powder coated

Easy installation

Code	Description	Material	Height (mm)	Width (mm)
SR92BWF	Wall mount bicycle rack	Black Powder Coated	700	600