



**classic**  
architectural group

**For Every Step**



## Classic Tredfx

# Convex Mirrors

Interior and Exterior Use

Classic convex mirrors are durable and weather proof, suitable for road and pedestrian traffic applications, warehouses, distribution depots and car parks.

### Features

- Adjustable to any angle
- Extendable stand-off arm available
- Available with galvanised wall and post mount brackets

### Application

Interior and exterior

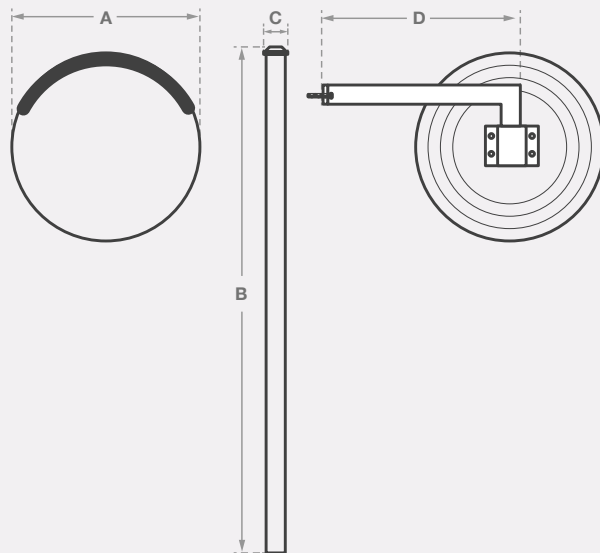
### Material

Unbreakable polycarbonate face

### Colour



High visibility orange visor



Code	Description	A size (mm)	B height (mm)	C width (mm)	D reach (mm)
IM60EX	Convex mirror with wall/post bracket	600	-	-	-
PT325GC	Galvanised post with cap, to suit core drilling	-	3250	60	-
PT280GC	Galvanised post with cap	-	2800	60	-
EA46SA	Extendable stand-off arm	-	-	-	400-600

**LIFETIME  
WARRANTY**

**INSTALLATION  
SERVICES  
AVAILABLE**



Weather resistant



Fast installation