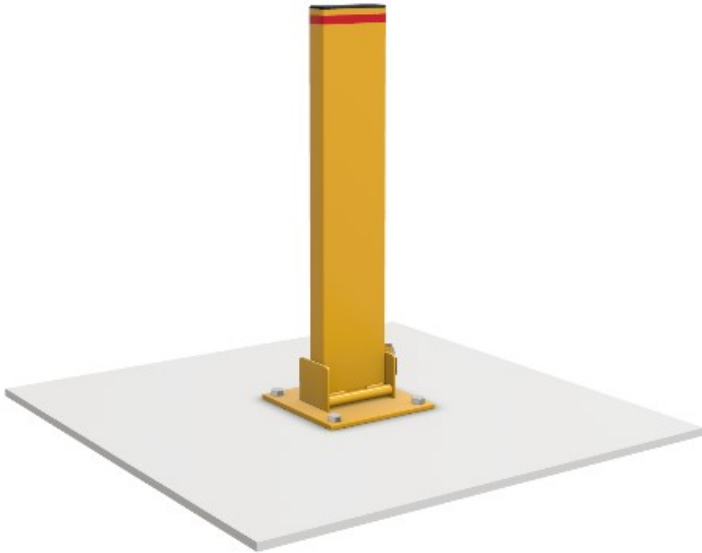




**classic**  
architectural group

**For Every Step**



**Classic**

# Collapsible Bollards

Surface Mount

The Classic collapsible bollard has been designed for vehicle access control and parking space protection. Also available as a surface mount model or can be used with an in-ground kit. Reflective sign face ordered separately.

## Features

- Stands 800mm tall when locked
- Flat on ground 80mm high
- Includes fixings and padlock
- Broad face of 150mm

## Application

Surface mount

### Fixing

Masonry anchors (supplied)

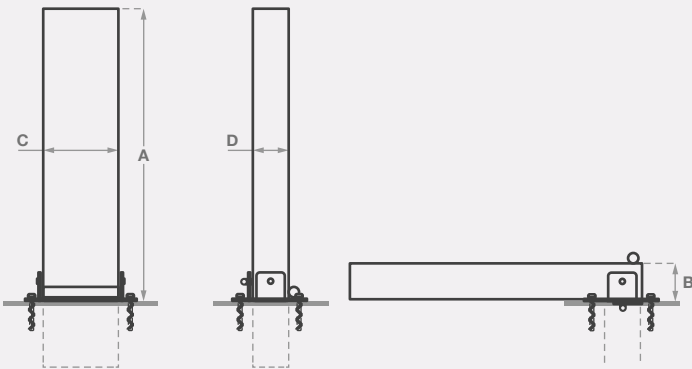
### Material

Galvanised steel

## Finish



Powder coated  
in safety yellow



Code	Description	A height up (mm)	B height down (mm)	C front width (mm)	D side width (mm)
DB5080FLPR	Fold down, key lockable bollard	800	80	150	50
15BBGK4	In-ground kit for DB5080 series	-	-	-	-

**Gal** Galvanised steel

Weather resistant

Easy installation

Powder coated

**LIFETIME  
WARRANTY**

**INSTALLATION  
SERVICES  
AVAILABLE**