



**classic**  
architectural group

# product catalogue

**edition 7**

architectural solutions

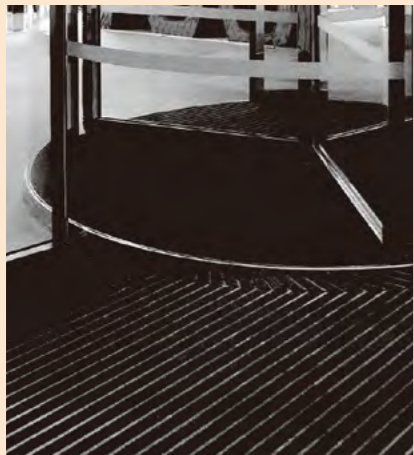
**Bike Racks  
& Skate  
Deterrents**





## We do more than you think...

Where practicality meets striking design, Classic's range of public access and safety solutions is a building professional's dream.



### Entrance Matting

Maintaining your building's presentation, longevity and a healthy environment, Classic's Integra Entrance Matting range creates cleaner, safer entrance areas. With customised options for both interior and exterior applications, our entrance mats keep up with your foot and wheeled traffic, effectively retaining dirt and moisture. Asset protection that aesthetically pleases, minimising your floor maintenance costs and reducing slip hazards.

Stopping the dirt, stopping the show, it's our winning entry.



### Stair Nosings

The professional finish to any access stair and ramp area, Classic's Tredfx Stair Nosings elevate smart looks and safety. With a wide range of anti-slip solutions for various substrates and environments, our stair nosings and tapes are rated for commercial grade use. Architecturally designed for your project, providing enhanced safety and accessibility for all.

Stepping up to every challenge, we'll give you the extra grip.



### Tactile Indicators

A must for all public access areas, Classic's Tredfx Tactile Indicators give directional guidance and alert of impending hazards. Empowering our visually-impaired community in shared spaces, we offer a diverse variety of styles and colours to meet your tactile floor safety requirements. From stainless steel and brass, to polyurethane and ceramic, our cutting-edge Tredfx Tactile range meets all NCC and relevant Australian Standards.

Navigating you with certainty, you'll never lose your bearings with us.



### Floor Trims & Covers

Classic's Tredfx Floor Trims, Expansion Joints and Covers are purposefully designed and engineered for commercial flooring applications. Overcoming small floor height discrepancies and covering joints between differing floor surfaces, our floor trims maximise safety while preserving aesthetics. Our heavy-duty expansion joint covers are built for protection and longevity, withstanding high-traffic areas.

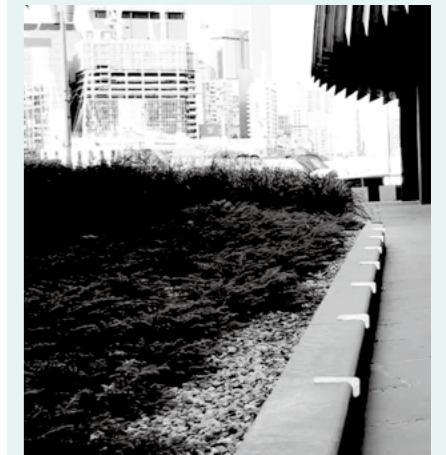
Where two become one, a seamless integration for all.



### Car Park Safety

Classic's Car Park Safety range includes Wheel Stops, Bollards, Speed Humps, Corner Guards, Signage, Convex Mirrors and much more. Keeping pace with modern building design and techniques, we'll collaborate with you to enhance the protection of your car parking space and its users. From traffic flow to visual safety, we've got you sorted.

Driven to succeed, we'll see you at the finish line.



### Bike Racks & Skate Deterrents

Classic's Bike Racks provide cyclists with safe bicycle storage while encouraging communities to embrace more sustainable living. Classic's Skatestop Skate Deterrents protect your landscape's presentation and longevity, offering safety, durability and aesthetics. Our skate deterrents work hard to save you time and money on damage costs caused by skateboarders, in-line skates and bikes. It's smart, simple prevention.

We'll get rolling on your projects quick smart.

# BIKE RACKS & SKATE DETERRENTS

## WHY CHOOSE CLASSIC?

- Consultative approach
- Customised solutions
- End-to-end fulfilment
- Unrivalled knowledge of standards
- Lifetime warranty
- Over 40 years' experience
- People and operations across Australia

Bike Racks - Hoop



- Designed to provide a safe bicycle storage solution in commercial applications
- Versatile bar
- Surface mount
- Hoop tops
- Stainless steel and galvanised options
- Ideal for schools, shopping centres, walkways or warehouses

Skatestop Disc



- Designed to deter the most determined skaters from using your external public areas
- Protects your landscape's presentation and longevity
- Rounded edges for safety
- Available in hard wearing stainless steel or solid brass
- Easy to install

Bike Racks - Wall



- Designed to provide a safe bicycle storage solution in commercial applications
- Versatile bar
- Designed to be wall mounted
- Black powder coated
- Ideal for schools, shopping centres, walkways or warehouses

Skatestop Edge



- Deters skaters without impacting visual environment
- Ability to intergrate into project design
- Available in hard wearing stainless steel or solid brass
- Easy to install
- Solid brass for a naturally beautiful aesthetic

Skatestop Max

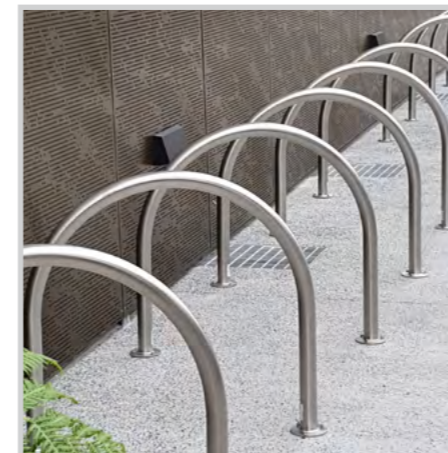


- Best and most effective skatestop product
- Low profile and versatile design
- Deters both skating and bike users
- Acts like mini speed hump for your walls, planters and benches
- Available in hard wearing stainless steel or solid brass
- Easy to install

Classic

# Bike Racks

- Designed to provide a safe bicycle storage solution in commercial applications
- Surface mount or below ground options
- Hoop tops and wall mount varieties
- Stainless steel, galvanised and yellow powder coated options



Classic

## Bicycle Racks - Hoop

Stainless Steel or Galvanised

### Description

Classic wall bicycle racks are a versatile bar with a wide range of applications. Available in surface mount, with stainless steel and galvanised options. Ideal for schools, shopping centres, walkways or warehouses.

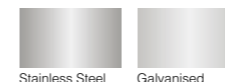
### Application

Surface mount

### Material

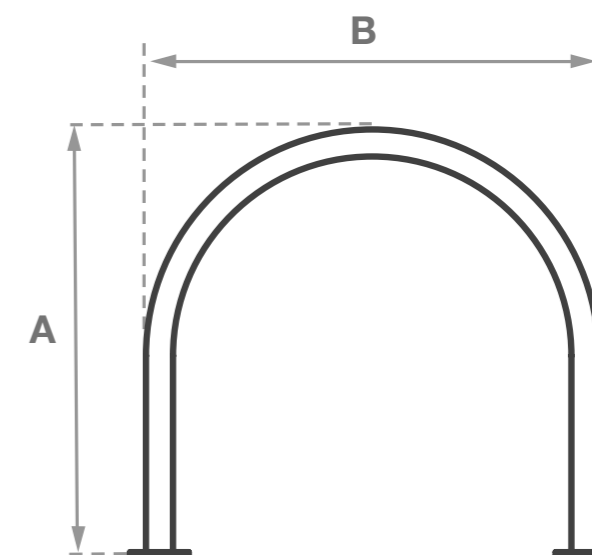
Stainless steel or galvanised

### Colour



| Code    | Description                      | Material        | A above ground height (mm) | B width (mm) | C below ground depth (mm) |
|---------|----------------------------------|-----------------|----------------------------|--------------|---------------------------|
| SR82SHB | Hoop bicycle rail with baseplate | Stainless Steel | 800                        | 850          |                           |
| SR82GHB | Hoop bicycle rail with baseplate | Galvanised      | 800                        | 850          |                           |

### HOOP TOP



**LIFETIME WARRANTY**

**INSTALLATION SERVICES AVAILABLE**

**NCC COMPLIANT**

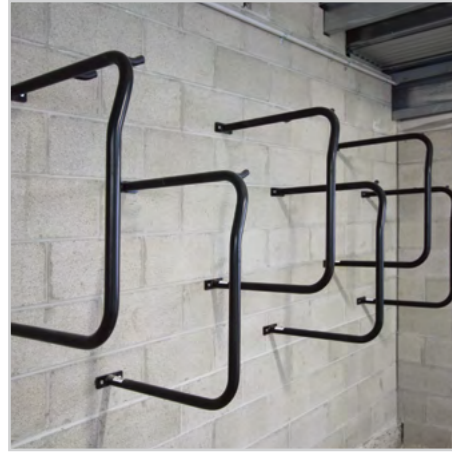
**AS2890 COMPLIANT**

**Gal** Galvanised

Powder coated (optional)

**SS** Stainless steel

Weather resistant



**Classic**  
**Bicycle Racks - Wall**  
 Black Powder Coated

**Description**  
 Classic bicycle racks are a versatile bar, designed to be wall mounted. Coming in a black powder coated finish, this product is ideal for schools, shopping centres, walkways or warehouses.

**Application**  
 Wall mount

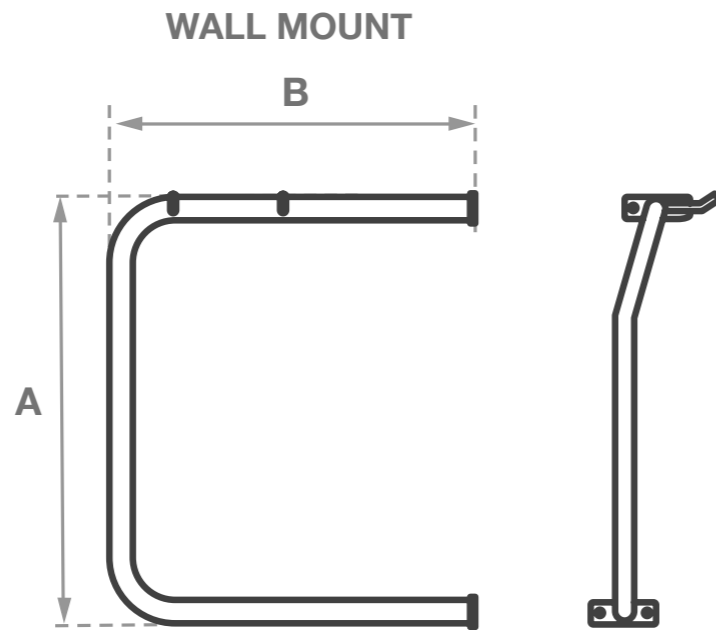
**Material**  
 Black powder coated

**Colour**



Black

| Code     | Description             | Material            | A height (mm) | B width (mm) |
|----------|-------------------------|---------------------|---------------|--------------|
| SR902BWF | Wall mount bicycle rack | Black Powder Coated | 705           | 700          |



**LIFETIME WARRANTY**

**INSTALLATION SERVICES AVAILABLE**

 Powder coated

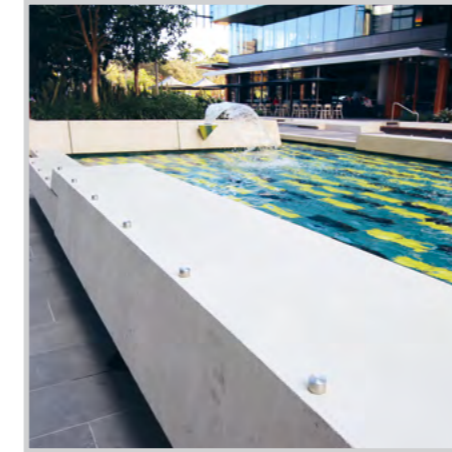
 Weather resistant



## Classic Skatestop

# Skate Deterrents

- Designed to deter the most determined skaters from using your external public areas as a free-for-all
- Protects your landscape's presentation and longevity
- Various options to suit the design aesthetic and level of prevention required
- Stainless steel for hard-wearing durability
- Solid brass for a naturally beautiful aesthetic



## Classic Skatestop

# Disc

## Basic Skate Deterrent

### Description

Classic Skatestop Disc blends in easily with most architectural themes, whilst minimising liability. Rounded edges make them safe and discrete with minimal impact. The Disc is very easy for DIY installations and for retro-fitting to existing areas. Classic Skatestop Disc is available in two options, marine grade stainless steel and solid brass.

### Profile

Round

### Diameter

30mm (Custom sizing available)

### Height

20mm (Custom sizing available)

### Material



Stainless Steel Solid Brass



**LIFETIME  
WARRANTY**

**INSTALLATION  
SERVICES  
AVAILABLE**

 Round profile

 Fast installation

 Weather resistant

**SS** Stainless steel and solid brass



## Classic Skatestop

# Edge

### Advanced Skate Deterrent

#### Description

Classic Skatestop Edge deters skaters without impacting on the environment's visual or intended use. With the ability to be integrated into the project design, it's an easy installation, particularly into expansion joints and grout lines, but is also suitable for retro-fitting. Demanding applications require rugged solutions and that's where Edge performs. Classic Skatestop Edge is available in two options, marine grade stainless steel and solid brass.

#### Material



#### Profile

L-shape

#### Length

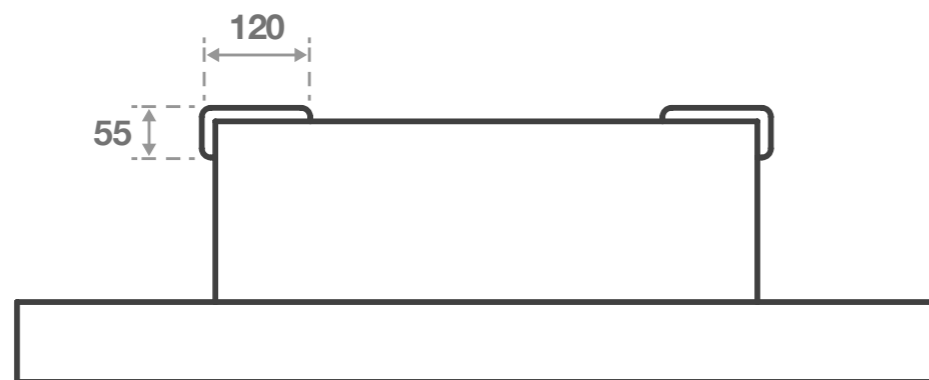
120mm

#### Height

55mm

#### Thickness

6mm



**LIFETIME  
WARRANTY**

**INSTALLATION  
SERVICES  
AVAILABLE**



**SS** Stainless steel and solid brass



## Classic Skatestop

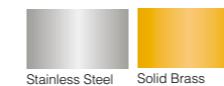
# Max

### Ultra Effective Skate Deterrent

#### Description

The best and most effective Classic Skatestop. The Classic Skatestop Max features a low profile and versatile design. Classic Skatestop Max has been specially developed to deter not only skate boarding, but also biking as well by eliminating the long, smooth edges that landscapes often offer such users. In effect, Classic Skatestop Max is a mini speed hump for your walls, planters, benches and other architectural features. Classic Skatestop Max is available in two options, marine grade stainless steel and solid brass.

#### Material



#### Profile

Full width

#### Diameter

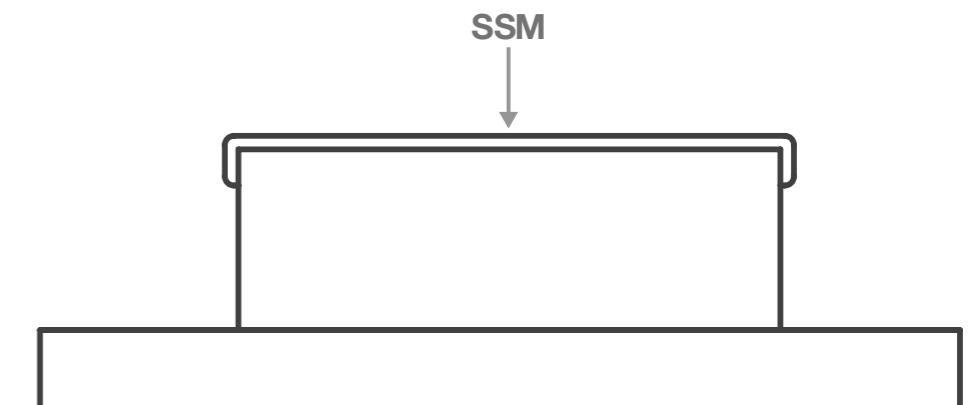
Custom

#### Height

Custom

#### Thickness

6mm



**LIFETIME  
WARRANTY**

**INSTALLATION  
SERVICES  
AVAILABLE**



**SS** Stainless steel and solid brass



1300 244 377

[info@classic-arch.com](mailto:info@classic-arch.com)

[www.classic-arch.com](http://www.classic-arch.com)

Melbourne • Sydney • Brisbane  
Adelaide • Perth • Auckland

