



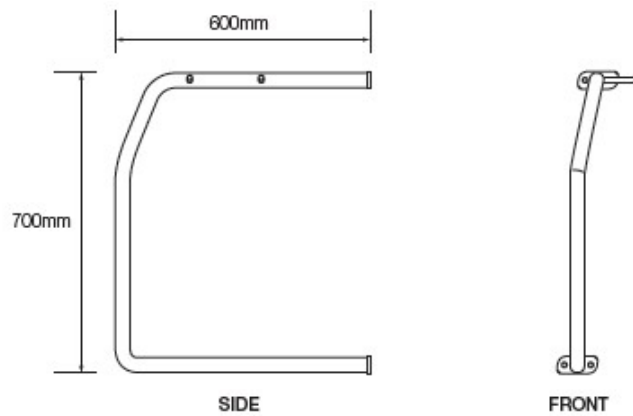
**classic**  
architectural group

For Every Step®

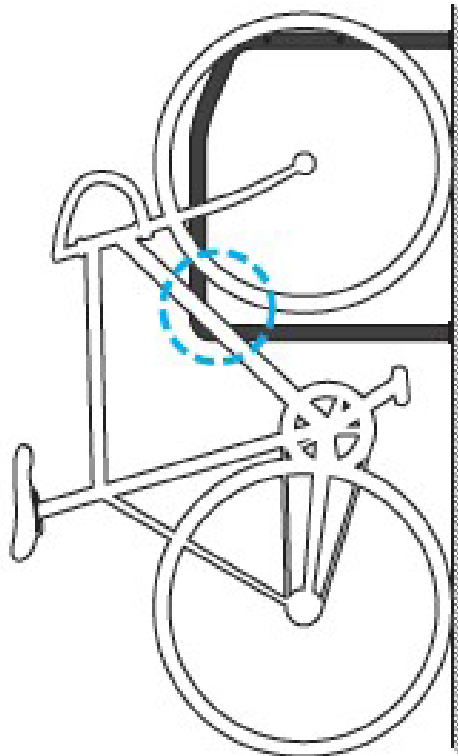
## Installation Guide

# Verti Square Bike Rack

## Dimensions



## Locking Points





**classic**  
architectural group

For Every Step®

## Installation Guide

# Verti Square Bike Rack

### Layout Guidelines & Fixing

Fix to a wall using 4x fasteners (M8 x 60mm screw bolt)

