



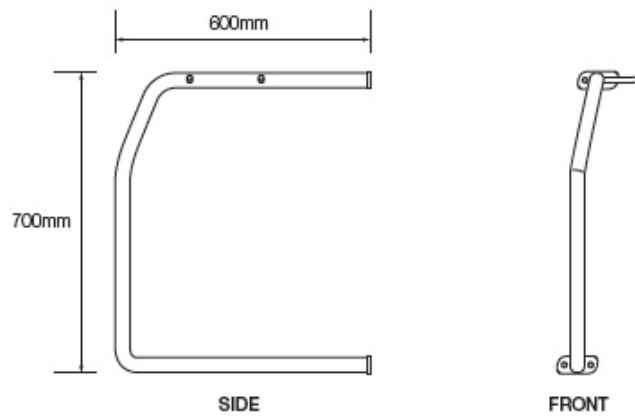
classic
architectural group

For Every Step®

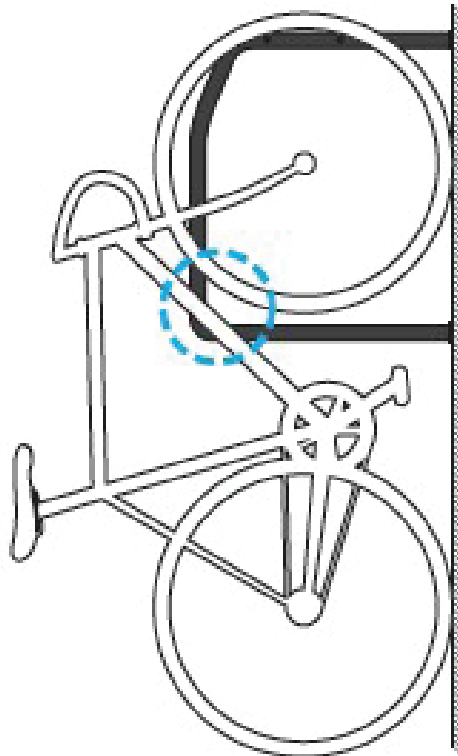
Installation Guide

Bicycle Rack - Wall Vertical

Dimensions



Locking Points





Installation Guide

Bicycle Rack - Wall Vertical

Layout Guidelines & Fixing

Fix to a wall using 4x fasteners (M8 x 60mm screw bolt)

