



classic
architectural group

For Every Step

Product Data Sheet

SH10N

Tredfx Tactiles

Stainless steel TGSi individual tactile



- Grooved 10 ring top only
- Plain sides
- Rear nylon stud
- Sloped sides for safe transition
- T316 grade stainless steel

The Stainless Steel series continue to be the best and the longest lasting solution when fitting tactile ground surface indicators. Ideal for retrofitting. Available in various styles that all allow the surrounding floor surface to show between the tactile indicators for an architecturally superior appearance.

Specification Guide

Install Tredfx Tactile Ground Surface Indicators SH10N to required areas as marked in accordance with manufacturer's recommendations, and the requirements of the NCC and the AS1428.4.1-2009. Available from: Classic Architectural Group, 1300 244 377, info@classic-arch.com

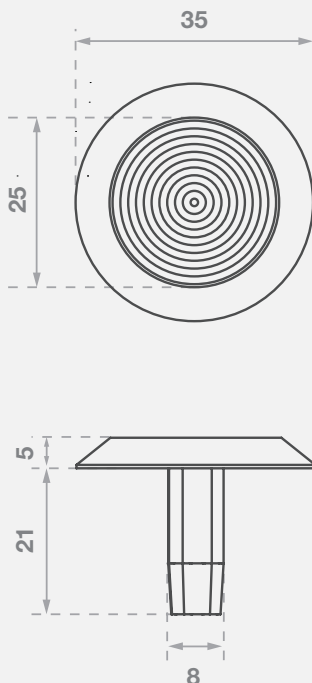
Specifications

Application

Interior and exterior

Colours

Natural, Black



Lifetime warranty.
Customer satisfaction
guarantee.



Installation Services
available