



classic
architectural group

For Every Step



Product Data Sheet

SH10 Plate

Tredfx Tactiles

Stainless Steel TGSi plate

- Grooved 10 ring top
- Retro-fit Application
- Increased strength

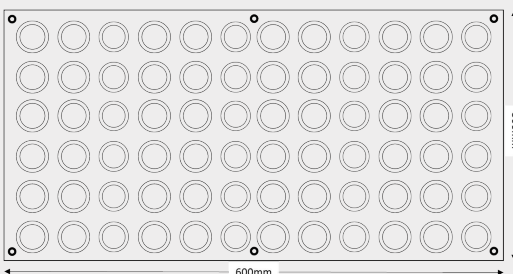
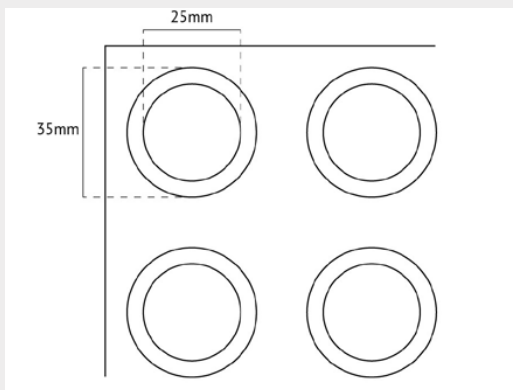
Integrated TGSIs combine wide aesthetic appeal with high slip resistance properties. T316 grade stainless steel tactile ground surface indicators with 10 ring top. The plates are supplied with pan head stainless steel screws and nylon plugs.

Specification Guide

Install Tactile Ground Surface Indicators (TGSi) plate to required areas as marked in accordance with manufacturer's recommendations, and the requirements of the NCC and the AS1428.4.1-2009. TGSi's to be Tredfx Tactiles with bevelled edges for safe direct surface installation. Available from: Classic Architectural Group, 1300 244 377, info@classic-arch.com

Specifications

Application	Interior and exterior
Colours	Natural



Lifetime warranty.
Customer satisfaction
guarantee.



Installation Services
available