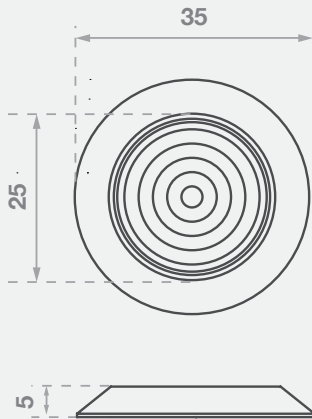




classic
architectural group

For Every Step



Product Data Sheet

PH06F

Tredfx Tactiles

Poly TGSI individual tactile

- Grooved 6 ring top
- Plain sides
- Without rear stud
- Sloped sides for safe transition

The Poly series of tactile indicators continues to provide an ultimate solution for the creative designer and specifier. Poly individual tactiles are designed for installation in aesthetically sensitive applications or where the use of vibrant colours is needed. Poly individual tactiles allow the surrounding floor surface to show between the tactile indicators for an architecturally enhanced appearance.

Specification Guide

Install Tredfx Tactile Ground Surface Indicators PH06F to required areas as marked in accordance with manufacturer's recommendations, and the requirements of the NCC and the AS1428.4.1-2009. Available from: Classic Architectural Group, 1300 244 377, info@classic-arch.com

Specifications

Application

Interior and exterior

Colours

Black, White, Yellow, Blue, Red, Beige, Mid Grey, Green, Tangerine



Lifetime warranty.
Customer satisfaction
guarantee.



Installation Services
available