

5.8 Assert Safety Mirrors

Safety Mirrors

Assert Safety Mirrors are the ultimate in visual safety. Specially designed to create awareness in obscured areas, the mirrors help prevent accidents and enhance the safety of your car park.

Specification Guide

Install Assert Safety Mirrors (insert code) to all car park areas in accordance with manufacturer's recommendations. Available from: Classic Architectural Group, 1300 244 377, info@classic-arch.com



5.8 Assert



Convex Mirrors

Indoor/Outdoor Convex Mirrors

Polycarbonate face mirrors

Description

Assert convex mirrors are durable and weather proof, suitable for road and pedestrian traffic applications, warehouses, distribution depots and car parks.

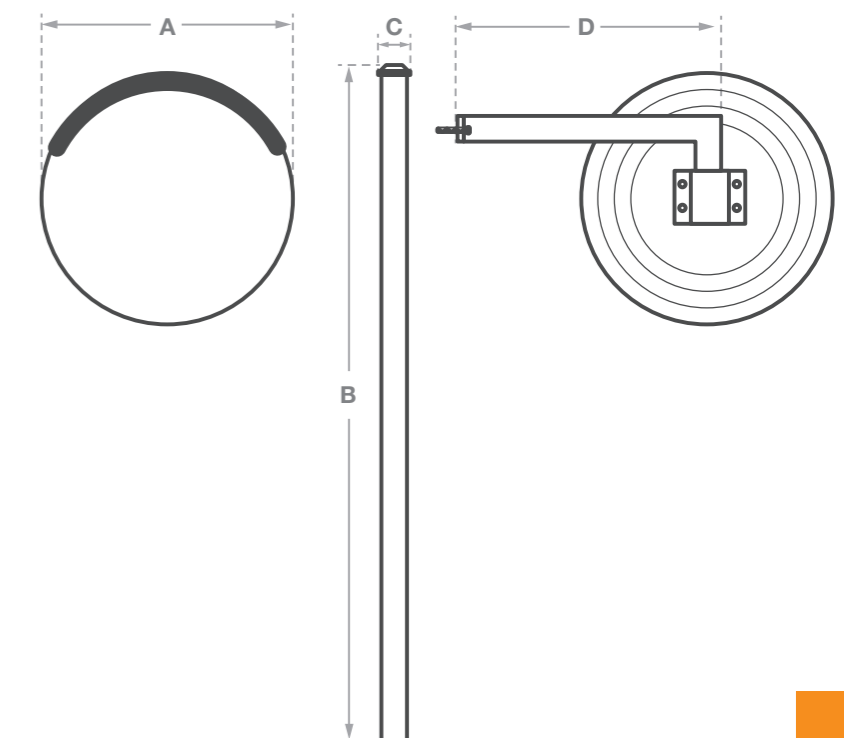
- Adjustable to any angle
- Extendable stand-off arm available
- Available with galvanised wall and post mount brackets

Specifications

Application	Indoor or Outdoor
Material	Unbreakable polycarbonate face
Colour	High visibility orange visor

Code	Description	A size (mm)	B height (mm)	C width (mm)	D reach (mm)
IM60IN	Indoor convex mirror with wall/post bracket	600	-	-	-
IM60EX	Outdoor convex mirror with wall/post bracket	600	-	-	-
PT325GC	Galvanised post with cap, to suit core drilling	-	3250	60	-
PT280GC	Galvanised post with cap	-	2800	60	-
EA46SA	Extendable stand-off arm	-	-	-	400-600

- Unbreakable polycarbonate face
- Weather resistant
- Fast installation
- Adjustable to any angle



2 year warranty **Installation Services available**